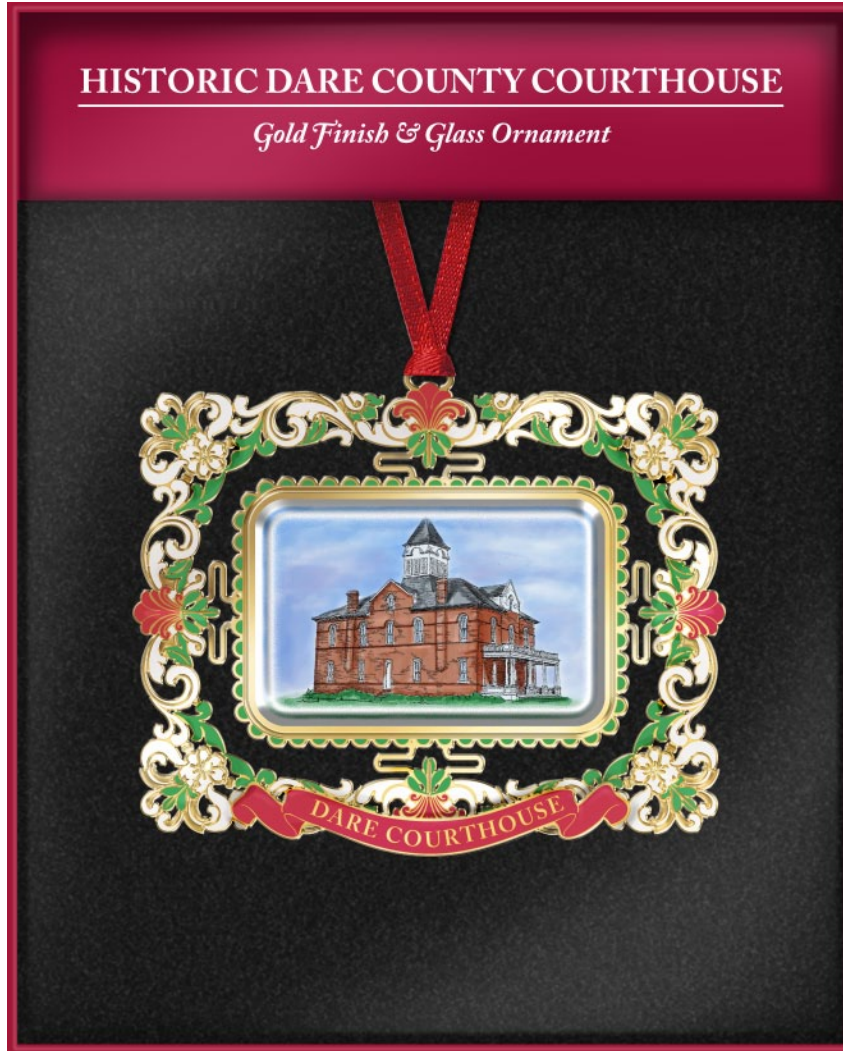
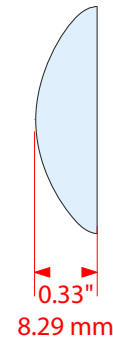
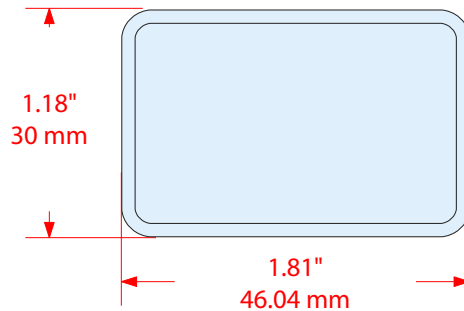


ACTUAL SIZE



GLASS FRONT

GLASS SIDE (1 HALF)



**PRODUCT SPECIFICATIONS:**

- PHOTO-ETCHED .020" BRASS ORNAMENT FRAME WITH GOLD FINISH ATTACHED TO GLASS. 3 SILKSCREEN COLORS ON FRONT. 1 SILKSCREEN COLOR ON BACK.
- GLASS PIECE HAS IMAGE DIRECT PRINTED ONTO IT'S FLAT BACK.
- A SATIN RED COLORED RIBBON IS ATTACHED.
- GLASS PIECE SIZE IS 1.18" X 1.81" X 0.33"

**PACKAGING SPECIFICATIONS:**

- 4.375" X 5.375" ACETATE FRONT WINDOW-STYLE BOX.
- TWO PMS SPOT COLOR PRINTED BASE WRAP WITH CUSTOMER'S TEXT, © INFO, AND COO.
- SBS HEADER INSERT IS PRINTED WITH ONE PANTONE SPOT COLORS.
- ORNAMENT IS WIRED TO BLACK PEACHBOARD.

## BASE BACK

*"When the doors of this Dare County Courthouse opened for the first time in 1904, the building was the center of Dare County Government. Sturdily built by the Fireproof Construction Company, it soon became central to the social and cultural life in the Outer Banks."*

Dare County Arts Council (DCAC), the Manteo Preservation Trust, and the Dare County community celebrate the renovation and development for productive reuse of the historic 1904 Dare County Courthouse in downtown Manteo. The renovated courthouse establishes a new high-visibility attraction for cultural tourism, a showcase of local arts: visual, performing, design, culinary and literary. Moreover, it returns to its rightful place as a center of community history, education, and cultural activities in the heart of downtown Manteo, the county seat of Dare County.

Now a campaign is under way to restore the signature belfry on the historic Courthouse to help the century-old building qualify as a National Historic Site. Among the architectural features lost over the years, the belfry is probably the most significant. It was removed after it was damaged during a hurricane in 1933. This is one more step toward restoring the courthouse to its original form.

*Proceeds from the sale of this ornament are used to assist in the renovation and preservation of the Historic Dare County Courthouse and to further its cultural and educational mission.*

### HISTORIC DARE COUNTY COURTHOUSE

300 Queen Elizabeth Ave  
Manteo, North Carolina



Created & Developed by DESIGN MASTERS® - An American Company · [www.DesignMasters.com](http://www.DesignMasters.com)

© 2014 DMA · CRAFTED IN CHINA · DESIGNED IN THE USA · XX-XXX-XXX